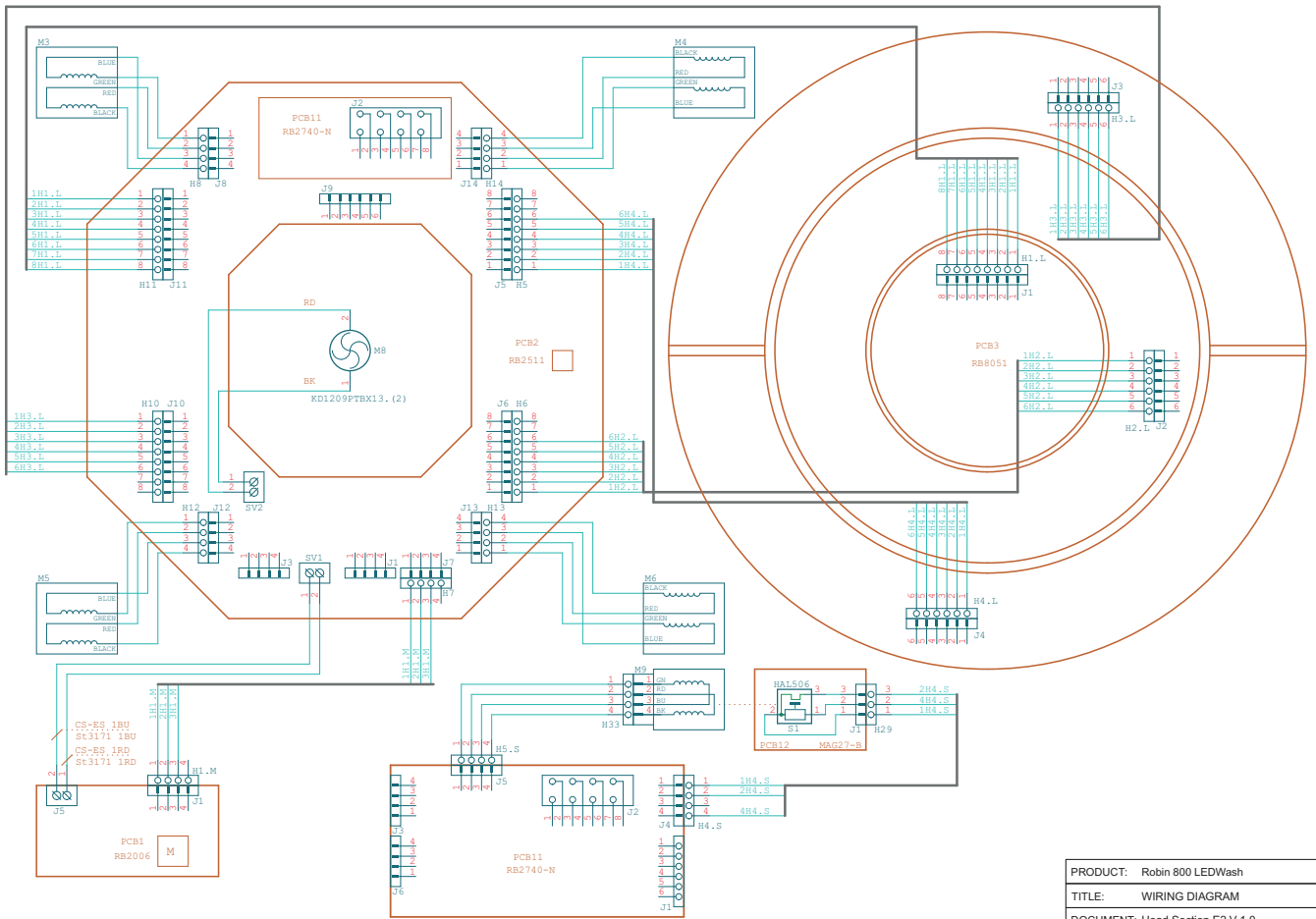
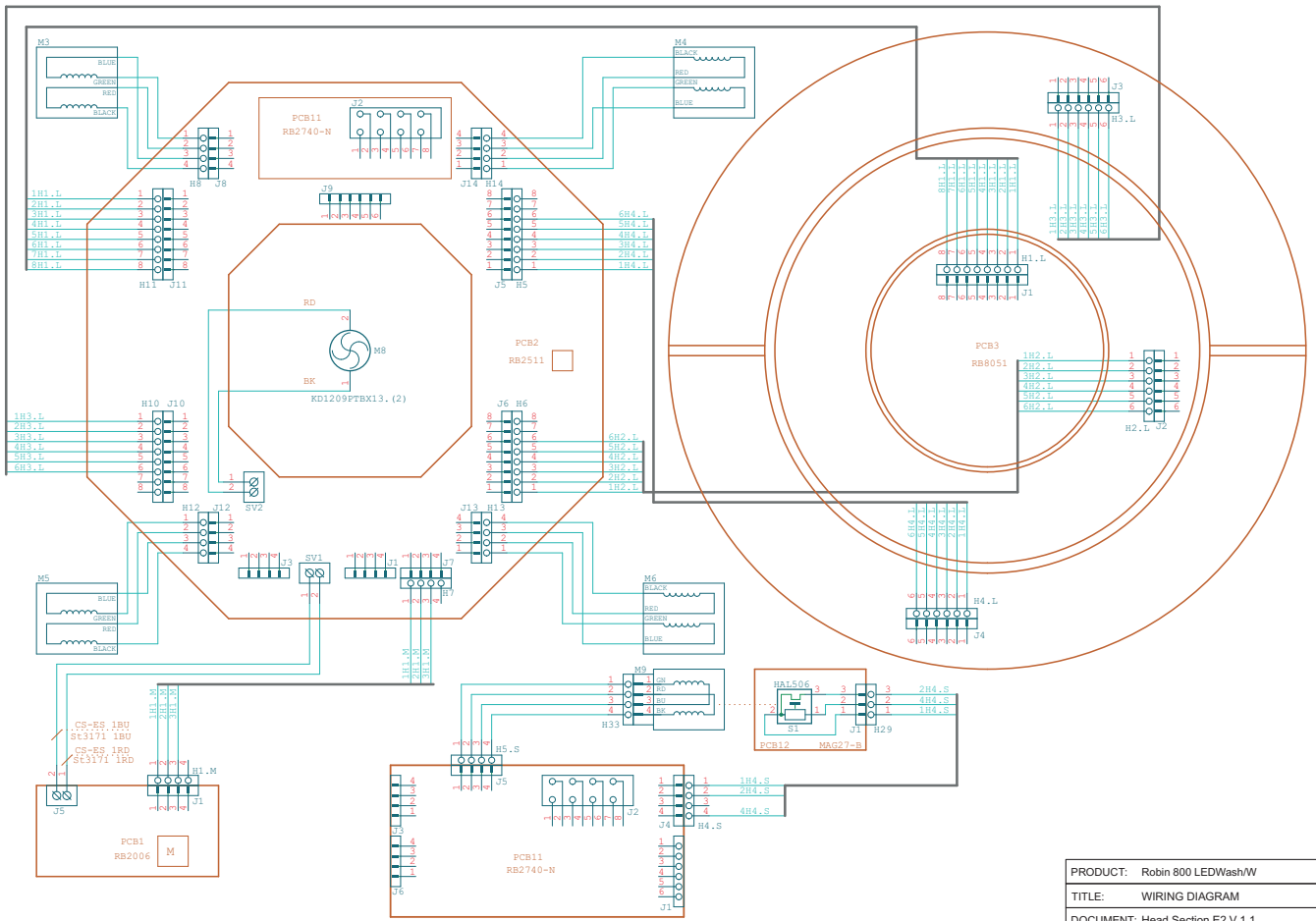


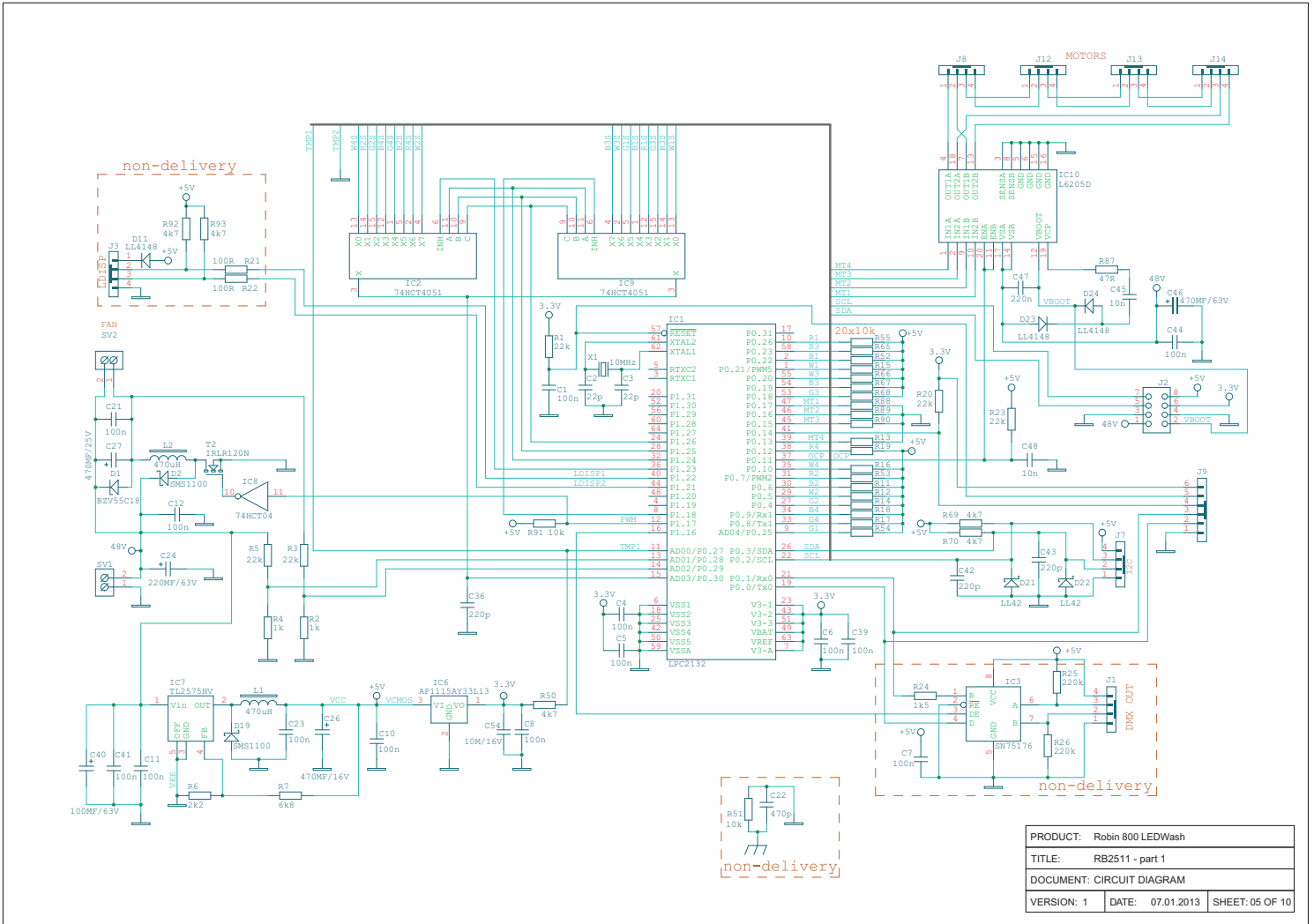
PRODUCT:	RobIn 800 LED Wash
TITLE:	WIRING DIAGRAM
DOCUMENT:	Basic Section E1 V 1.0
VERSION:	1
DATE:	07.01.2013
SHEET:	01 OF 10



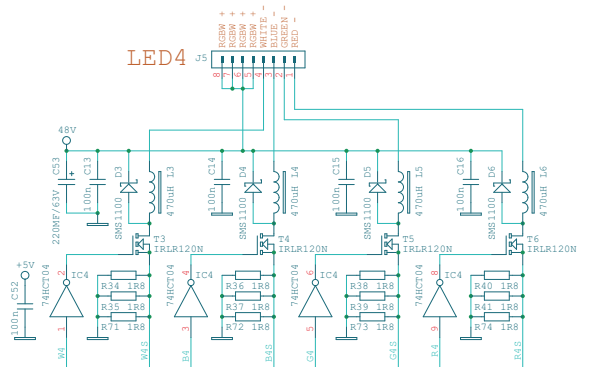
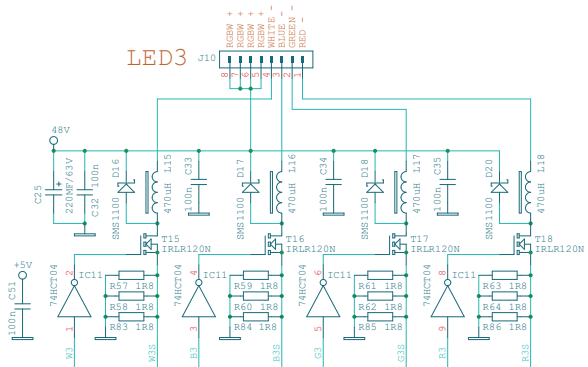
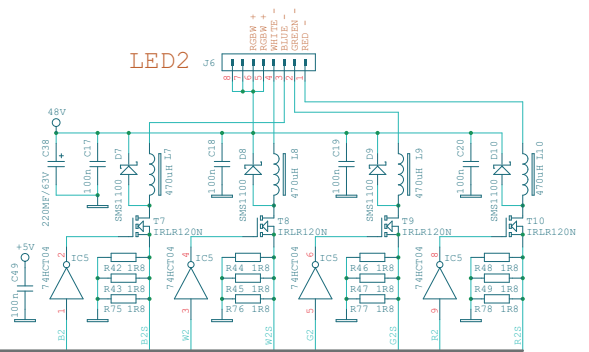
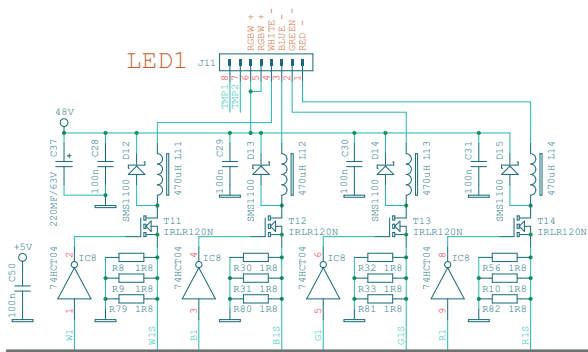
PRODUCT:	Robin 800 LEDWash
TITLE:	WIRING DIAGRAM
DOCUMENT:	Head Section E2 V 1.0
VERSION: 1	DATE: 07.01.2013 SHEET: 02 OF 10



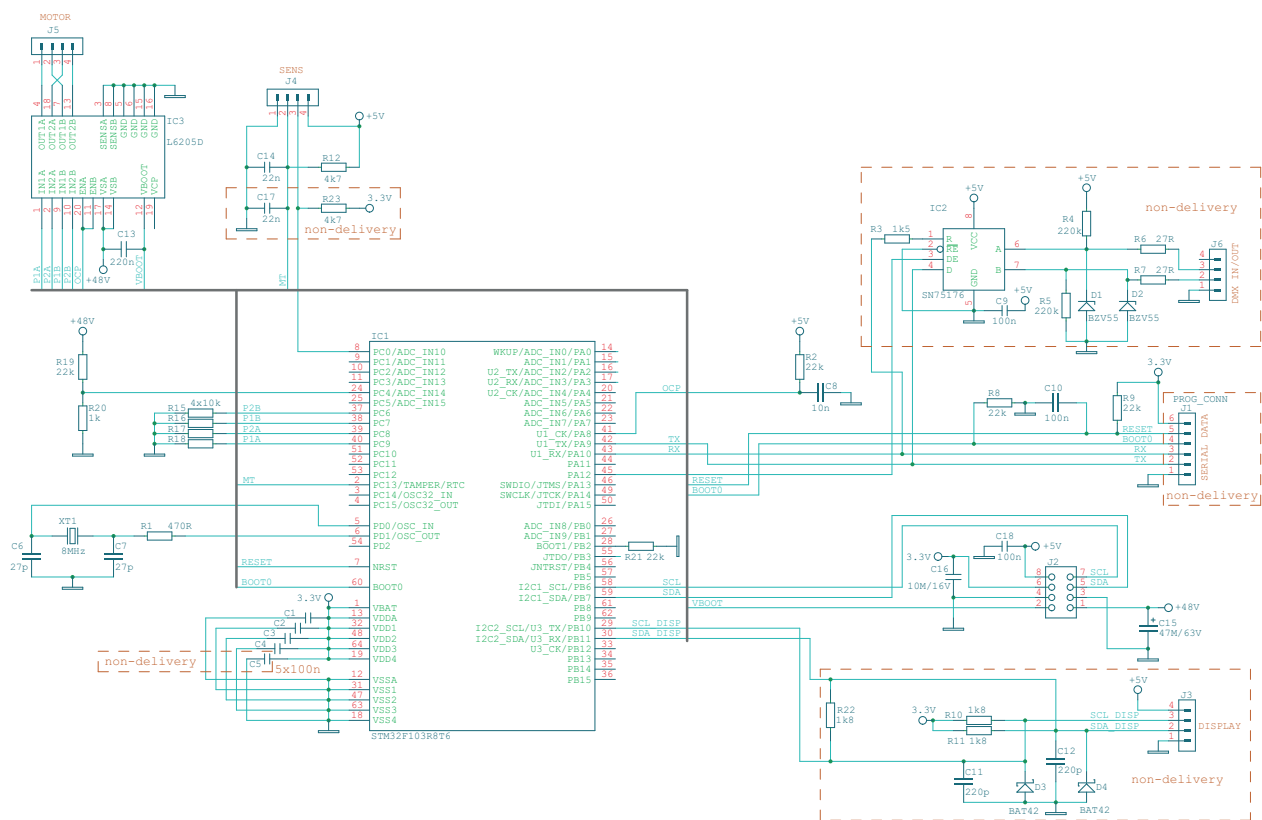
PRODUCT:	Robin 800 LEDWash/W
TITLE:	WIRING DIAGRAM
DOCUMENT:	Head Section E2 V 1.1
VERSION: 1	DATE: 07.01.2013 SHEET: 04 OF 10



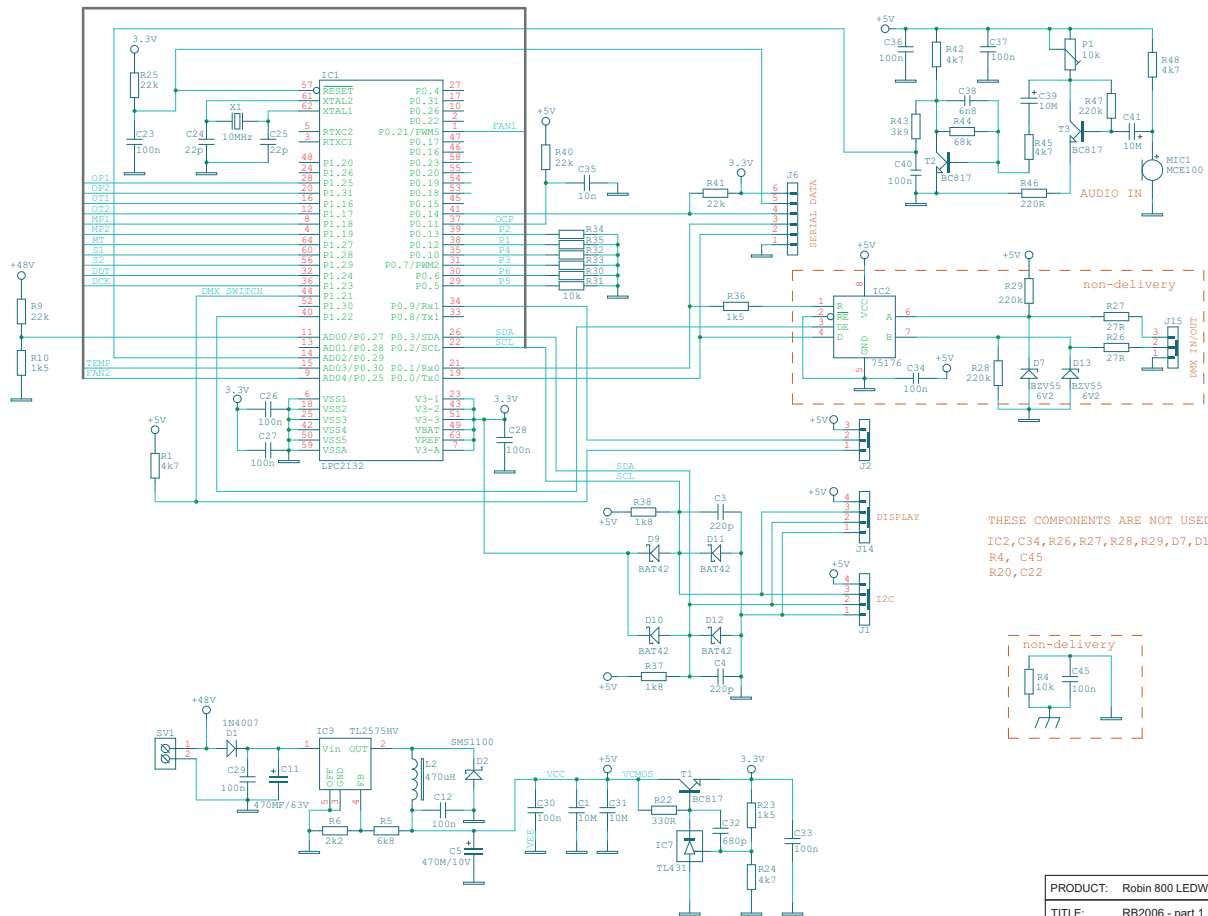
PRODUCT:	RobIn 800 LED Wash
TITLE:	RB2511 - part 1
DOCUMENT:	CIRCUIT DIAGRAM
VERSION:	1
DATE:	07.01.2013
SHEET:	05 OF 10



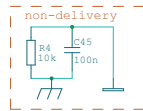
PRODUCT: Robin 800 LEDWash		
TITLE: RB2511 - part 2		
DOCUMENT: CIRCUIT DIAGRAM		
VERSION: 1	DATE: 07.01.2013	SHEET: 06 OF 10



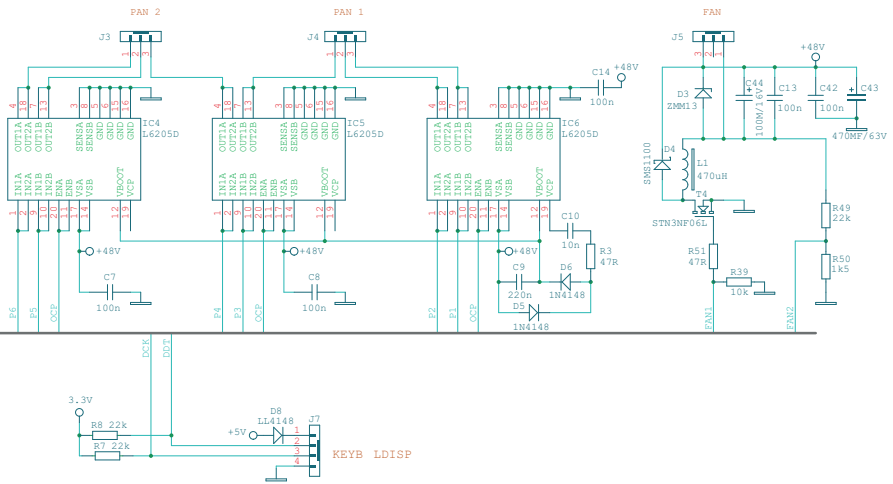
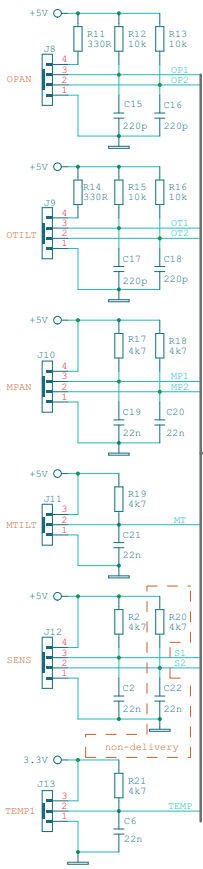
PRODUCT:	RobIn 800 LED Wash
TITLE:	RB2740-N
DOCUMENT:	CIRCUIT DIAGRAM
VERSION: 1	DATE: 07.01.2013 SHEET: 07 OF 10



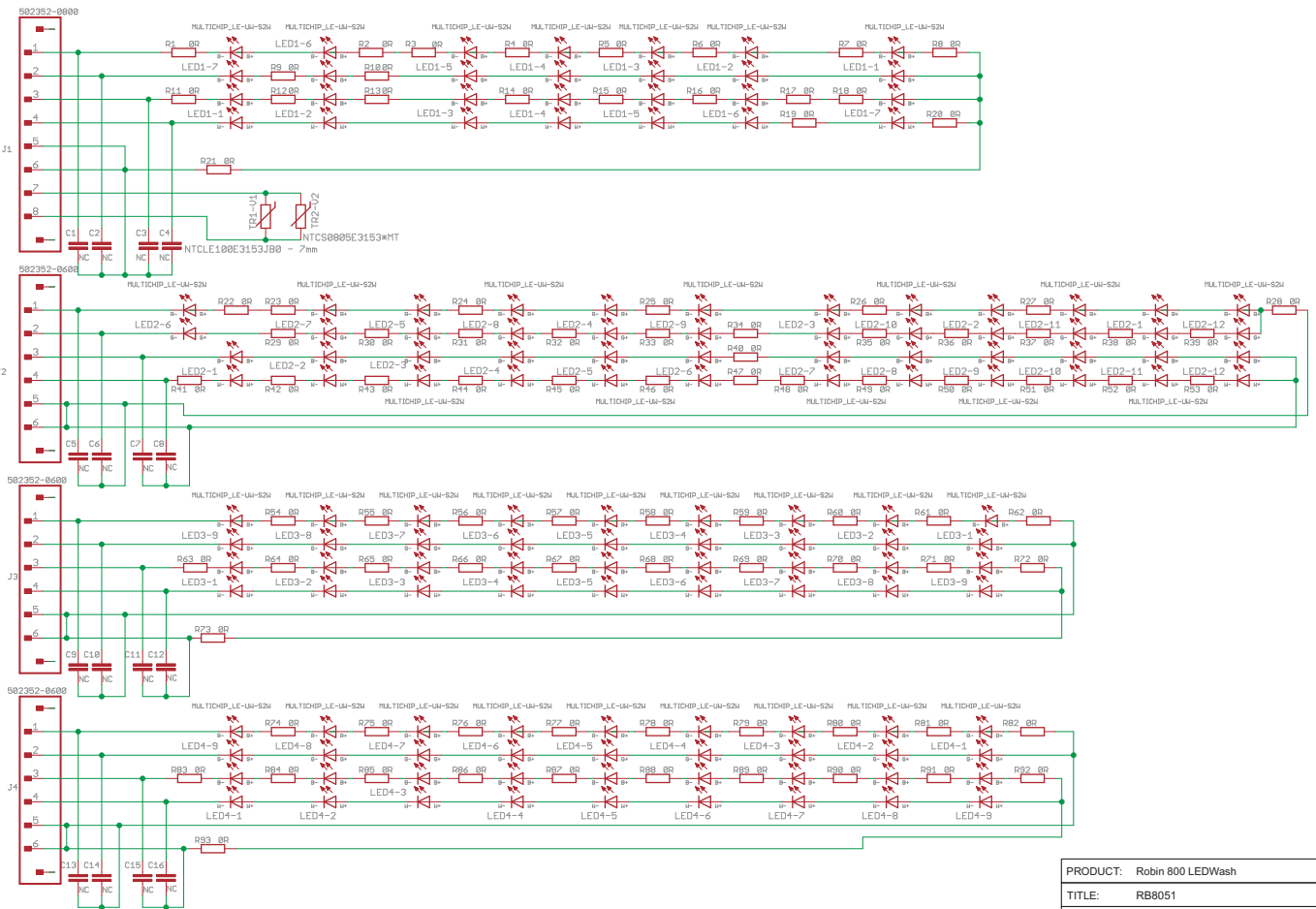
THESE COMPONENTS ARE NOT USED
 IC2, C34, R26, R27, R28, R29, D7, D13, J15
 R4, C45
 R20, C22



PRODUCT: Robyn 800 LED Wash		
TITLE: RB2006 - part 1		
DOCUMENT: CIRCUIT DIAGRAM		
VERSION: 1	DATE: 07.01.2013	SHEET: 08 OF 10



PRODUCT: Robin 800 LEDWash		
TITLE: RB2006 - part 2		
DOCUMENT: CIRCUIT DIAGRAM		
VERSION: 1	DATE: 07.01.2013	SHEET: 09 OF 10



PRODUCT: Robin 800 LEDWash		
TITLE: RB8051		
DOCUMENT: CIRCUIT DIAGRAM		
VERSION: 1	DATE: 07.01.2013	SHEET: 10 OF 10